

JOOLA®

ITEM.NO.: 12600



GB Assembly Instructions

Before assembling or using the table-tennis table, please read the following instructions carefully. They contain important information for use and maintenance of the equipment as well as for your personal safety. Keep these instructions in a safe place for maintenance purposes or for ordering spare parts.

All JOOLA products are designed in accordance with the latest safety regulations and undergo a constant process of quality control during manufacturing. The knowledge gained in this process is used to constantly improve and develop our products. In order to offer our customers the very best in product quality, we reserve the right to make technical changes at any time. In spite of this, should you have any cause for complaint, please contact your JOOLA dealer.

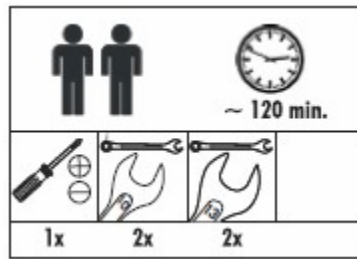
Note on Safety

- The table-tennis table should be used only for its intended purpose, i.e. for playing with suitable table-tennis bats and balls.
- All other uses are prohibited and may be dangerous. The manufacturer cannot be held liable for damage or injury caused by improper use of the table.
- Damaged or worn components may endanger your safety or shorten the lifespan of the table-tennis table. Replace worn or damaged components immediately and remove the table from use until this has been done. Use only spare parts manufactured by JOOLA.
- The table-tennis table complies with all safety regulations. Incorrect repairs, alterations to the design (removal of original parts, addition of other components etc.) may endanger the safety of the user.
- Instruct other persons (in particular children) using the table in its correct use, and draw their attention to any potential source of danger, especially when setting up or dismantling the table.
- When setting up or dismantling the table, stay clear of its folding radius.
- When folded up, the table-tennis table presents a large surface to the wind. For this reason, ensure that it is stored in a sheltered position.
- The table-tennis table may be pushed only into the transport position because there is otherwise a danger of injury.
- The unit complies with the standard EN 14468-1:2004.
- Depending on frequency of use, check all screws, bolts etc. regularly to ensure that they are in good condition.
- **Caution:** While assembly of the product keep off children's reach (Choking hazard - contains small parts).
- In case of enquiry, please contact your JOOLA dealer.

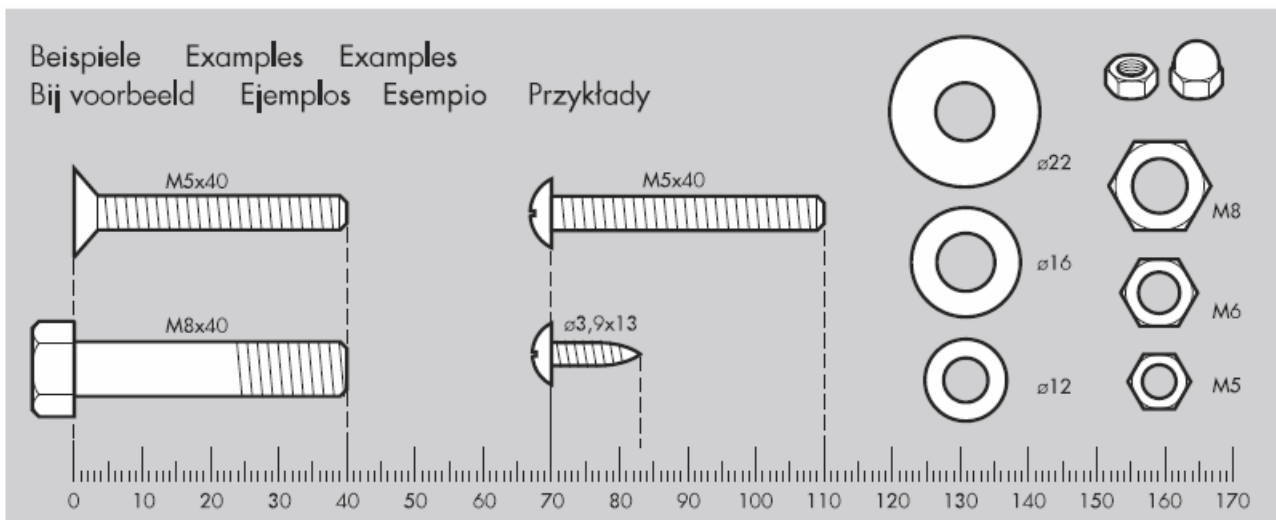
Handling the equipment

- Do not use the table-tennis table until it has been fully and correctly assembled and checked.
- Ensure that table-tennis tables which are not weatherproof are not exposed to dampness or rain. Keep them well away from direct sources of heat. Should the surface become warped, lay the table on a level surface for a few days.
- Set the table up on a level surface.
- Do not cover it with plastic foil, under which condensation may form. We recommend the weatherproof JOOLA tarpaulin, art. no. 7032-300.
- For practising without a partner, the table halves can be folded up singly.
- For more information on the sport of table-tennis, you are referred to the specialist literature on the subject.
- Do not use corrosive or abrasive materials to clean the equipment. Ensure that such materials are not allowed to pollute the environment. In most cases, a slightly dampened cloth is sufficient.
- **Waste Disposal:** JOOLA products are recyclable. At the end of its useful life please dispose of this article correctly and safely (local refuse sites).

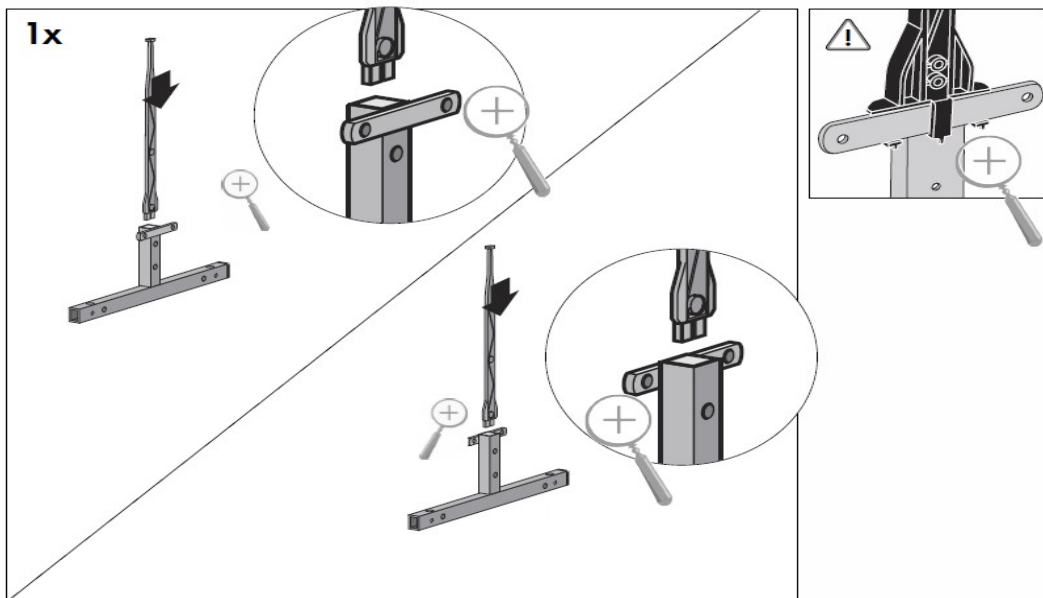
GB You also need the following tools (Not included):



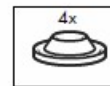
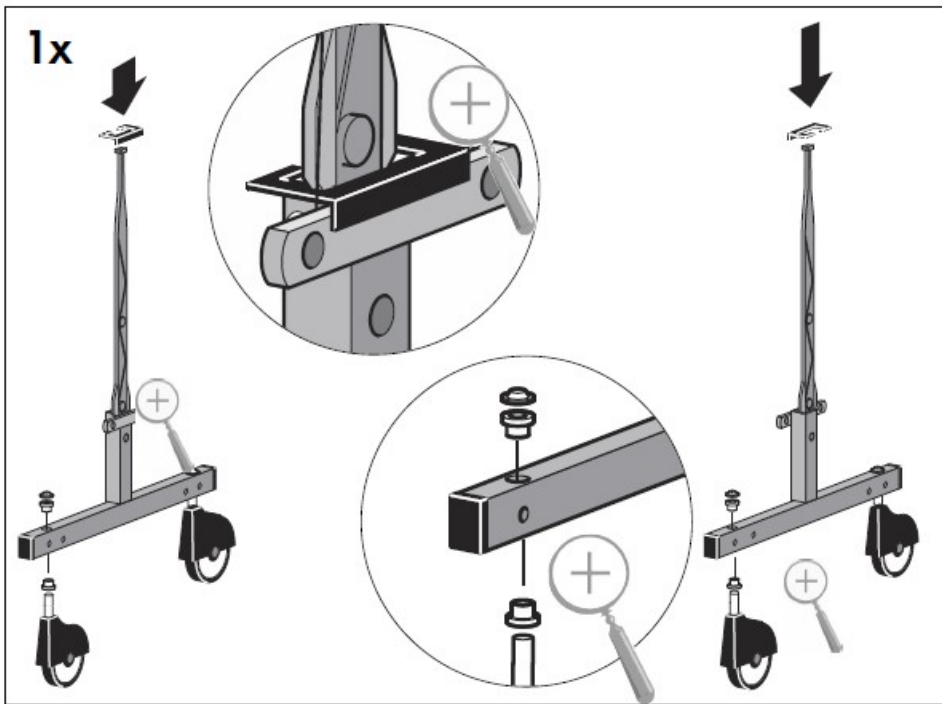
GB Measuring help for screw connections



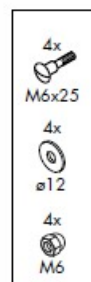
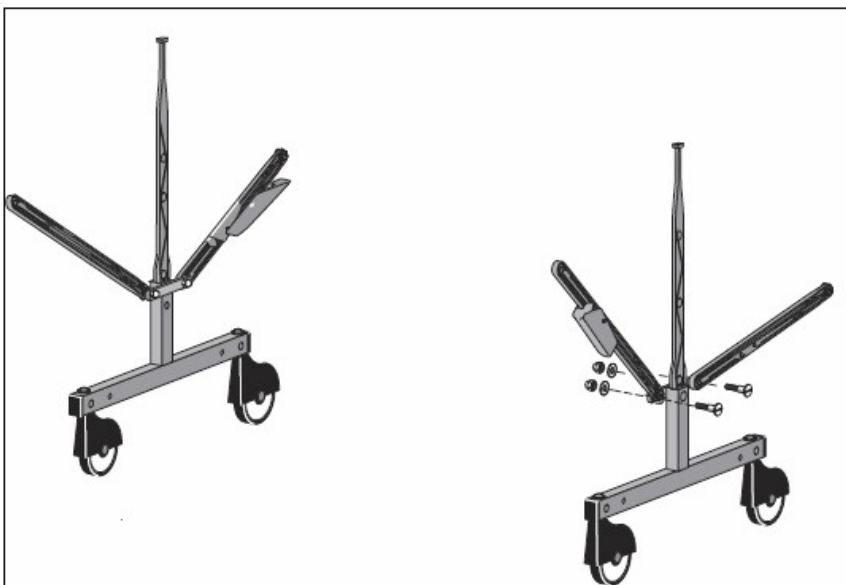
1a



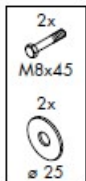
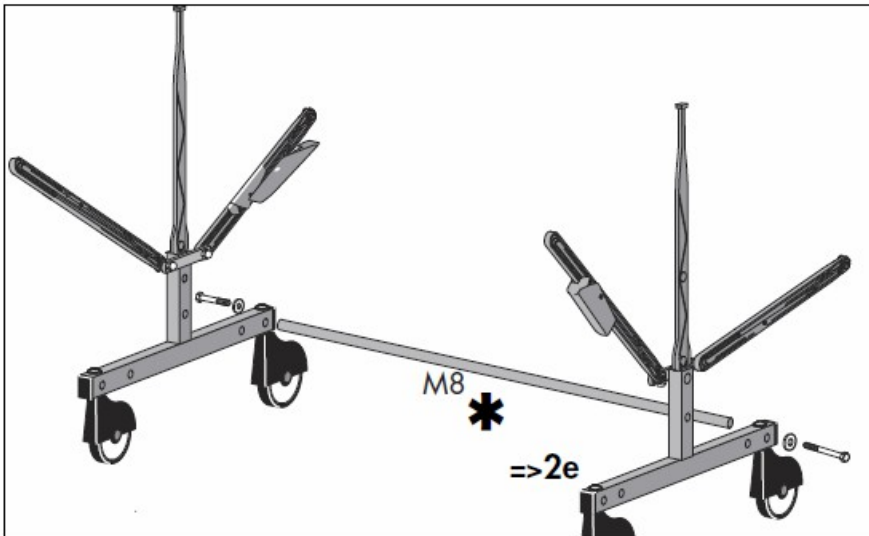
1b



1c

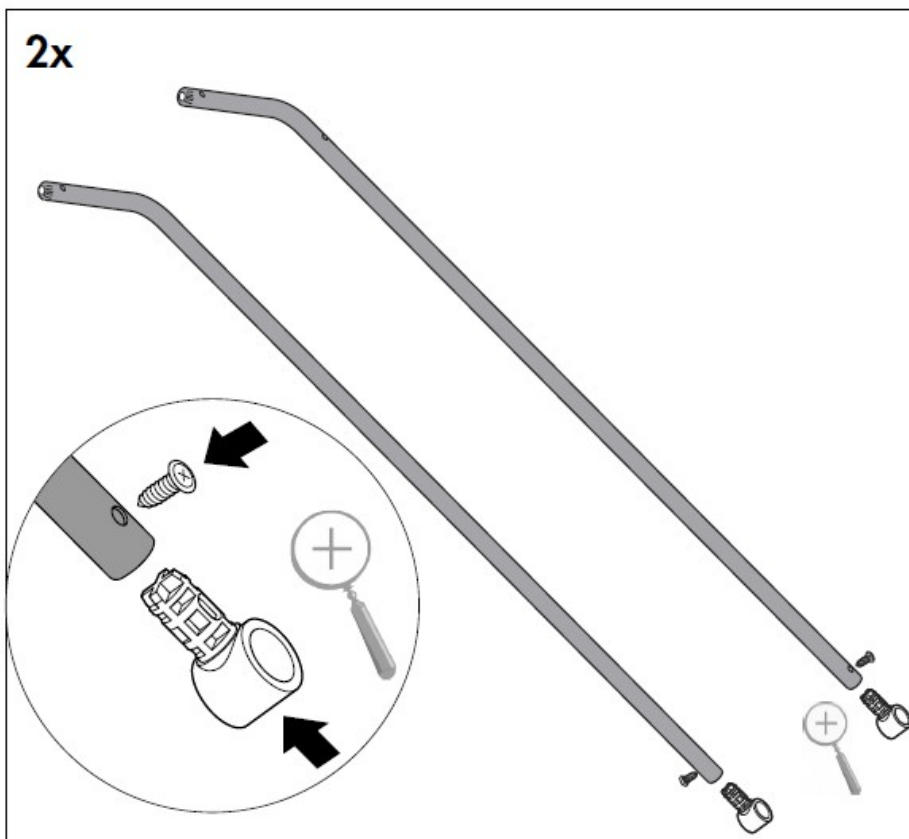


2a

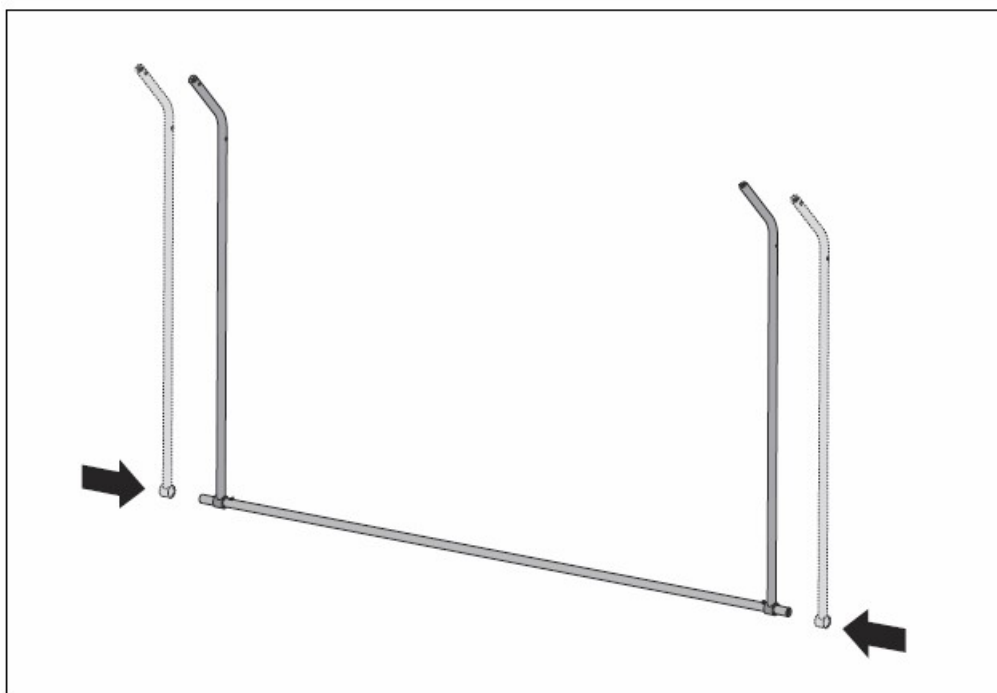


(GB) Now bolt a side connecting rod to the side elements. Note: This bar is used only for support during assembly and must be removed when positioning the other half of the table.

2 b



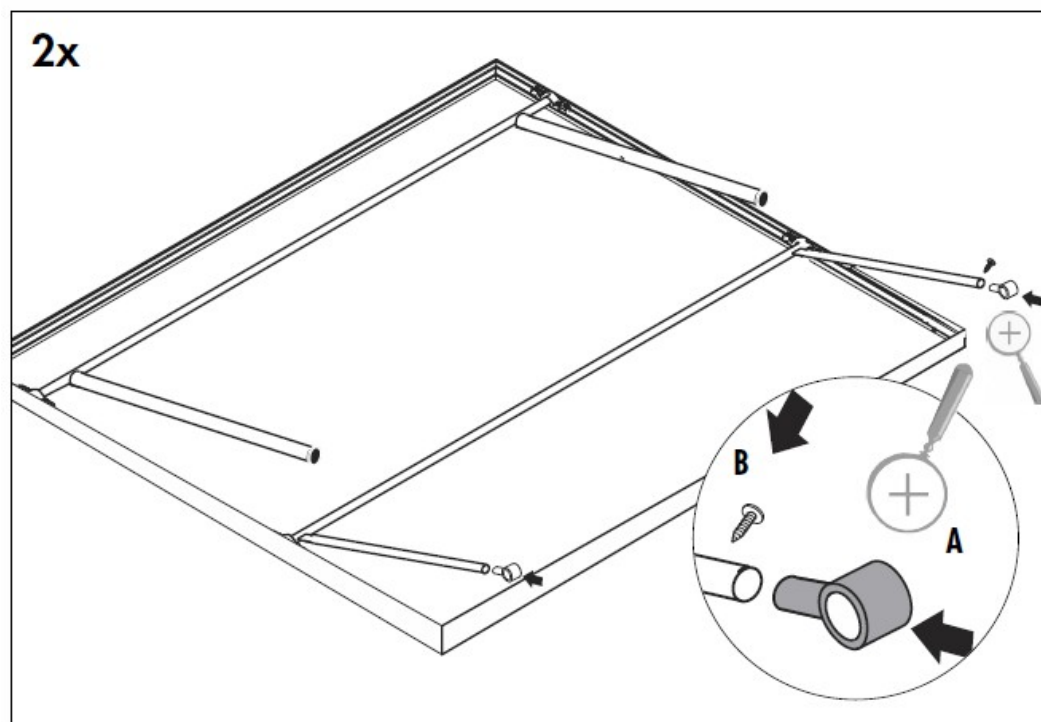
2 c

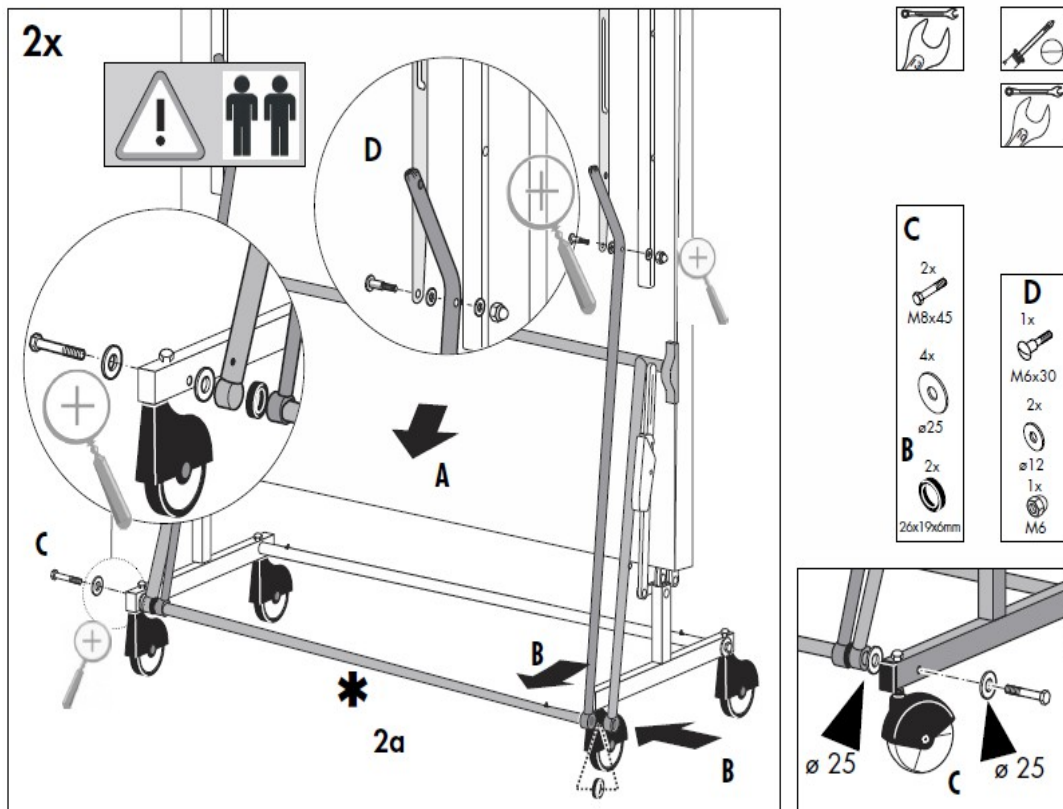


2 d

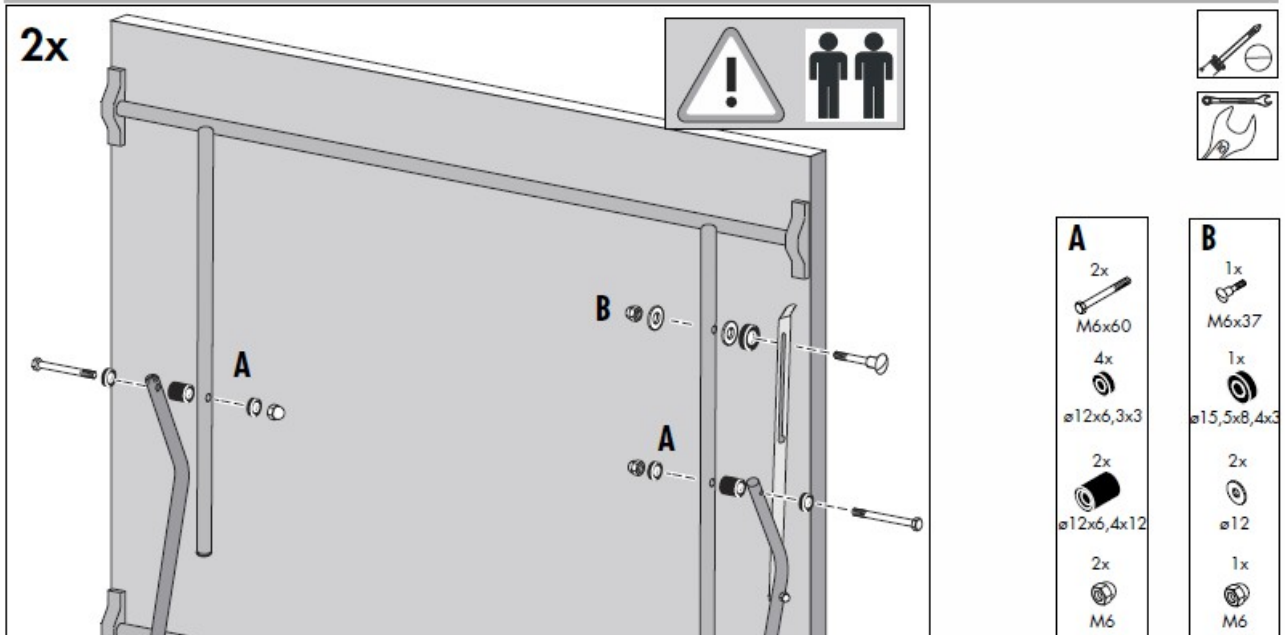


2x



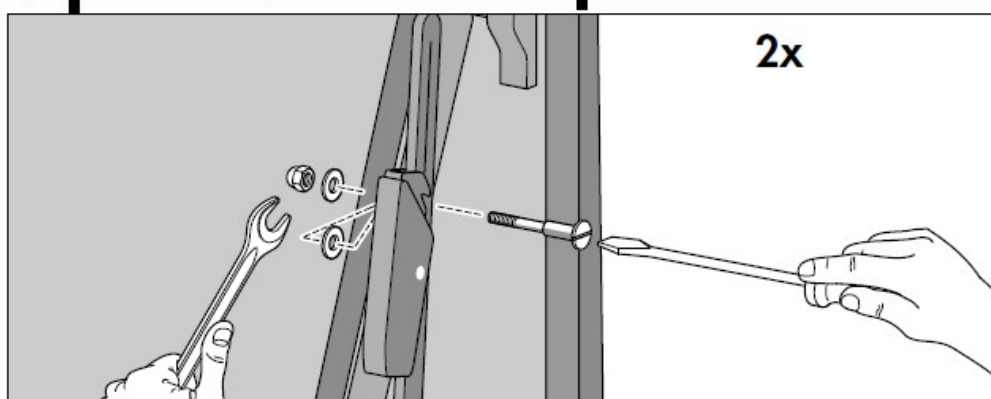
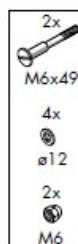
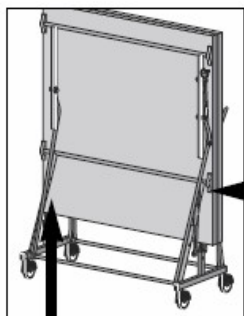


- GB A:** Position one of the table halves and ensure that it cannot slip or tilt over. Ask another person to attach the push bar and the support-frame brace to the last connecting bar.
- B:** To do this, the braces for the frame must be bent slightly to the side. Proceed with care when doing this.
- C:** The connecting bar is now bolted to the side elements.



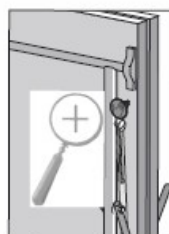
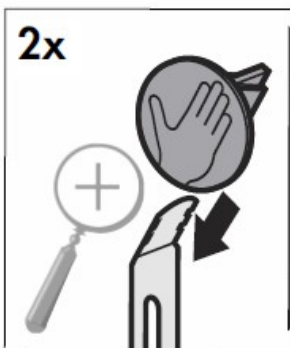
- GB A: Bolt the left-hand and right-hand push bar to the support frame.
 B: Bolt the lock to the frame.

4 a

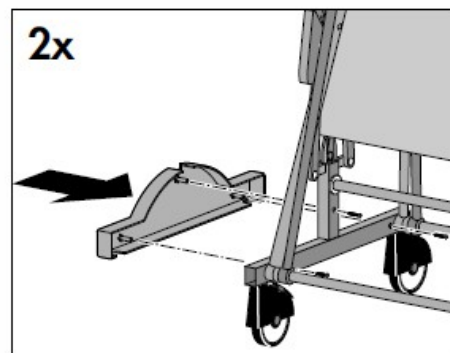


- GB Bolt the anti-tilt device to the right-hand side of the table. Now remove the temporary bar from the other side and carry out steps 2b–4a for the second half of the table. Again, ensure that the table cannot slip or tilt over!

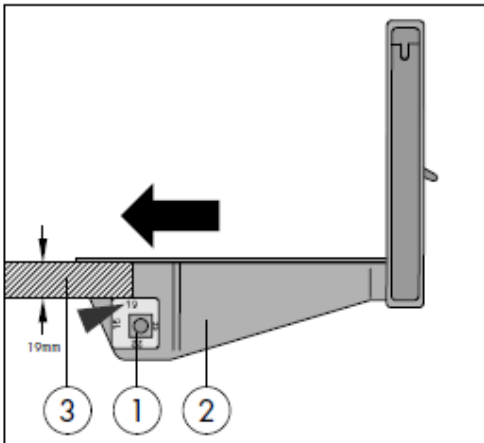
4 b



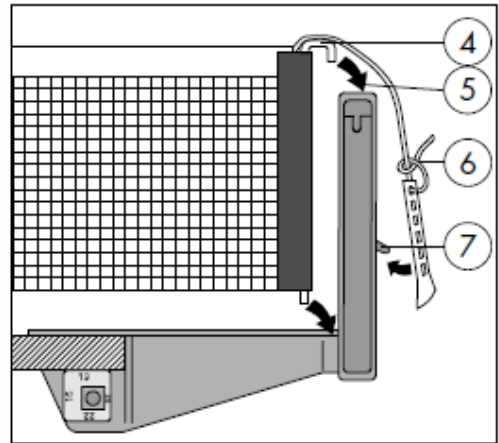
4 c



5 a



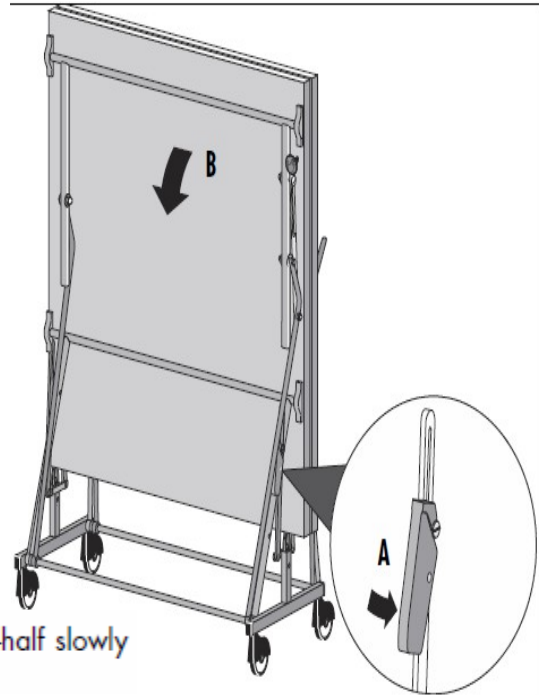
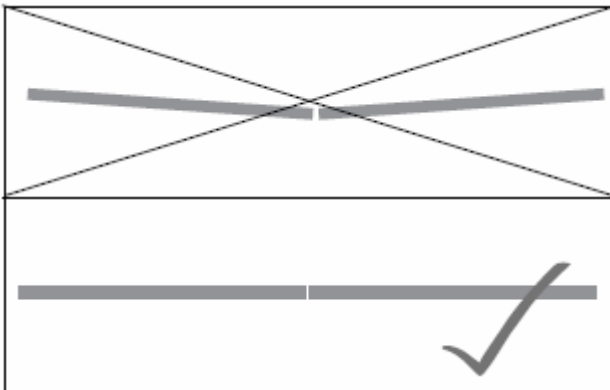
5 b



GB Assembling the net set

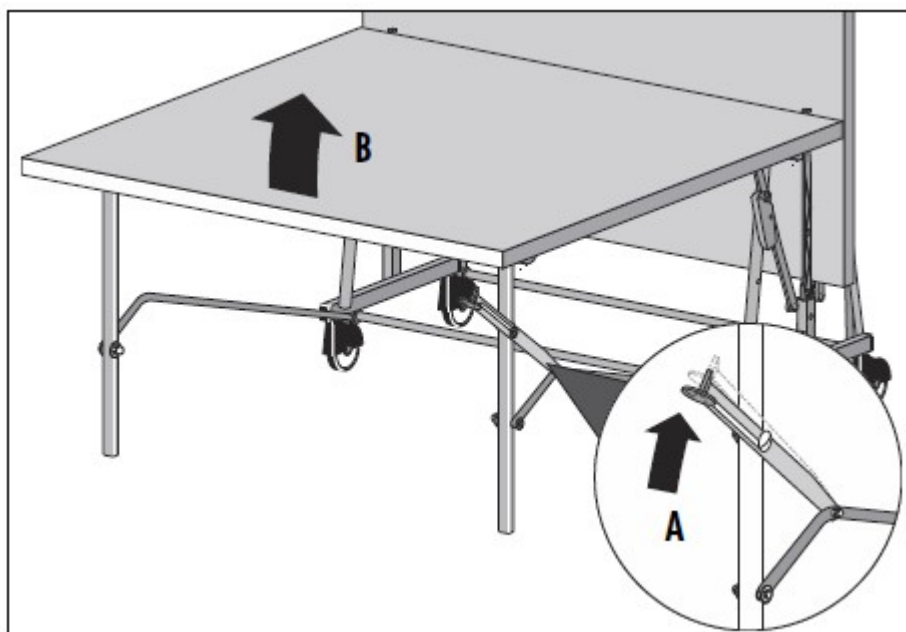
- ① Adjustment knob; pull knob off net post and select desired thickness (i.e. 19mm)
- ② Slide the netposts between the table halves (3).
- ④ Slide the tension pin through net
- ⑤ Place pin in designated slots
- ⑥ Tie tension string to plastic tension tab.
- ⑦ Place tension string in slots over tension pin and net post. Adjust net tension by adjusting plastic tension tab.

GB Lowering the table halve

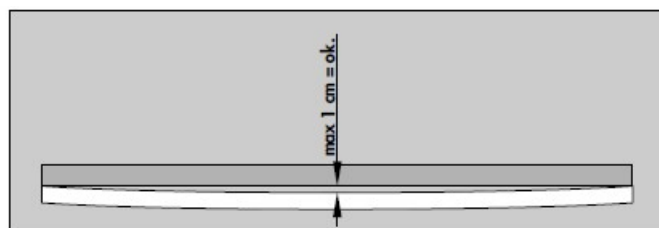
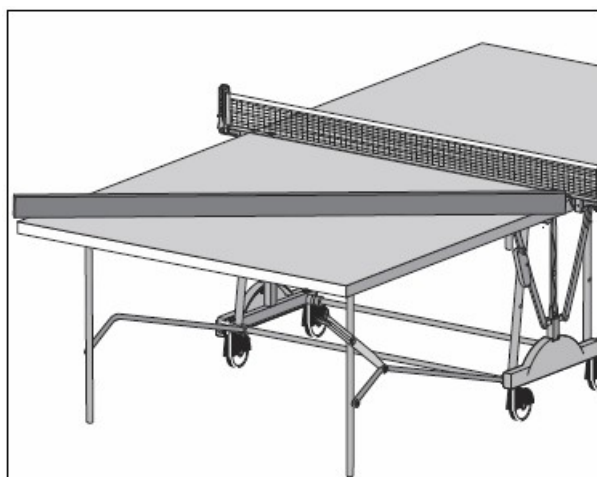


- GB Press the right-hand lock (A) and lower the table-half slowly into position (B). Never allow it to drop down!

GB Collapsing the table halves



GB Push the lever of the stabilisation upwards (A) and lift the disk half (B). Maintain the pressure in the initial lifting phase. Bring the disk halves in the upper parking position in which the transport lock automatically clicks into place.



GB Spare parts drawing and list

