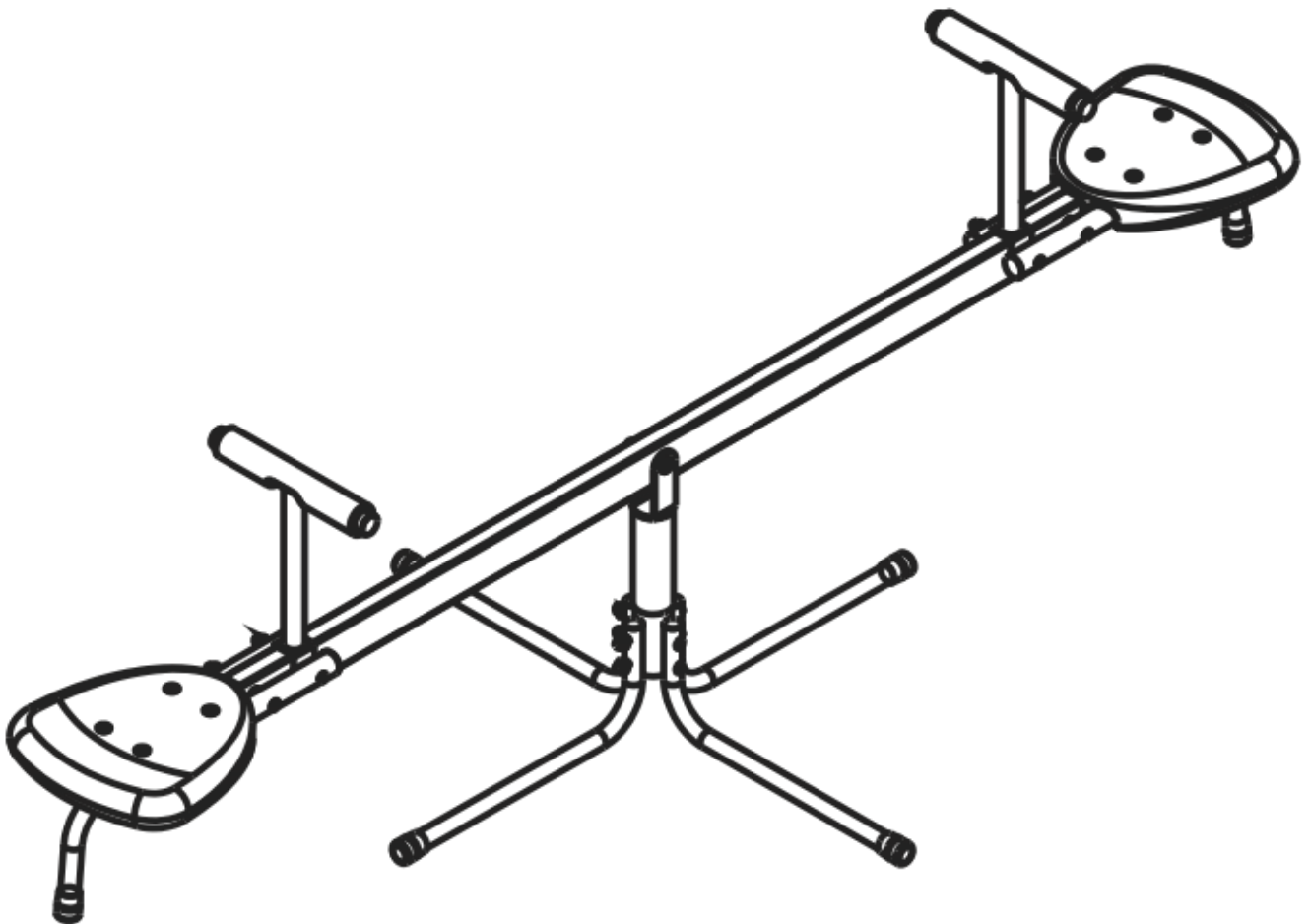


Children Seesaw

SPSW-0170

01/21



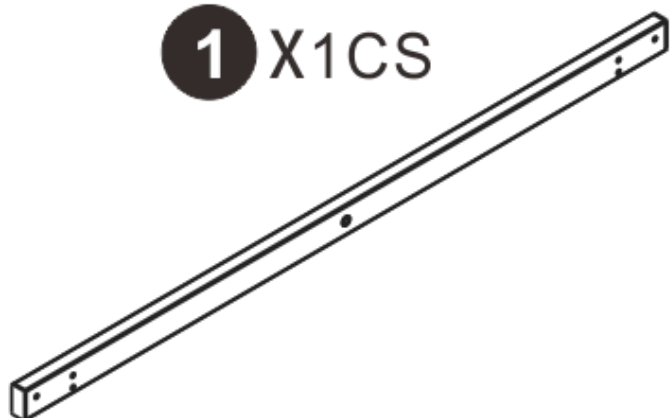
READ THIS FIRST!!!

**IN CASE OF MISSING OR BROKEN PARTS,
PLEASE CONTACT PLACE OF PURCHASE FOR ASSISTANCE.**

Manual depicts typical installation
your model may differ from illustrations

Accessories

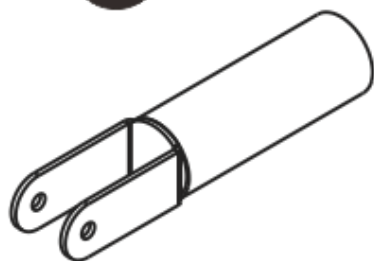
1 X1CS



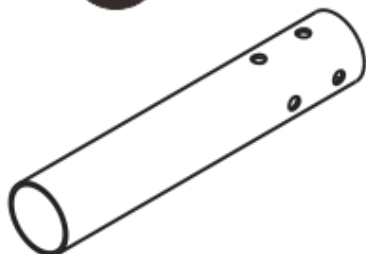
2 X2PCS



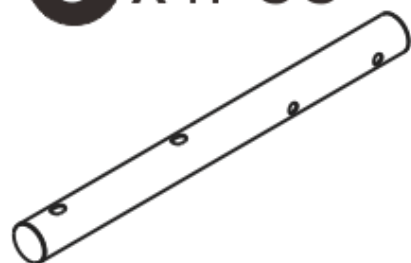
3 X1CS



4 X1CS



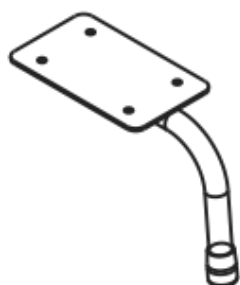
5 X4PCS



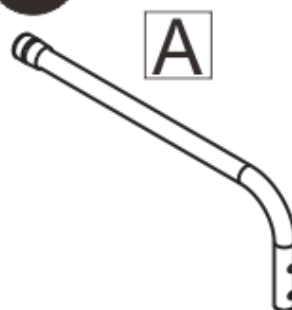
6 X2PCS



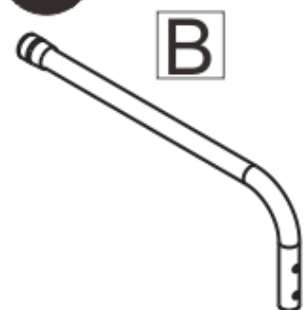
7 X2PCS



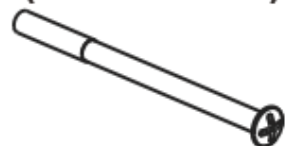
8 X2PCS



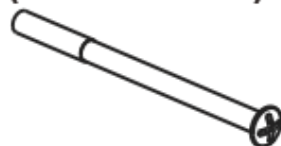
9 X2PCS



E16 X4PCS
(M6X85mm)



E17 X4PCS
(M6X90mm)



U8 X1CS



U7 X18PCS



E15 X1CS (M8X50mm) **C5** X2PCS (M6X40mm) **C8** X8PCS (M6X55mm)



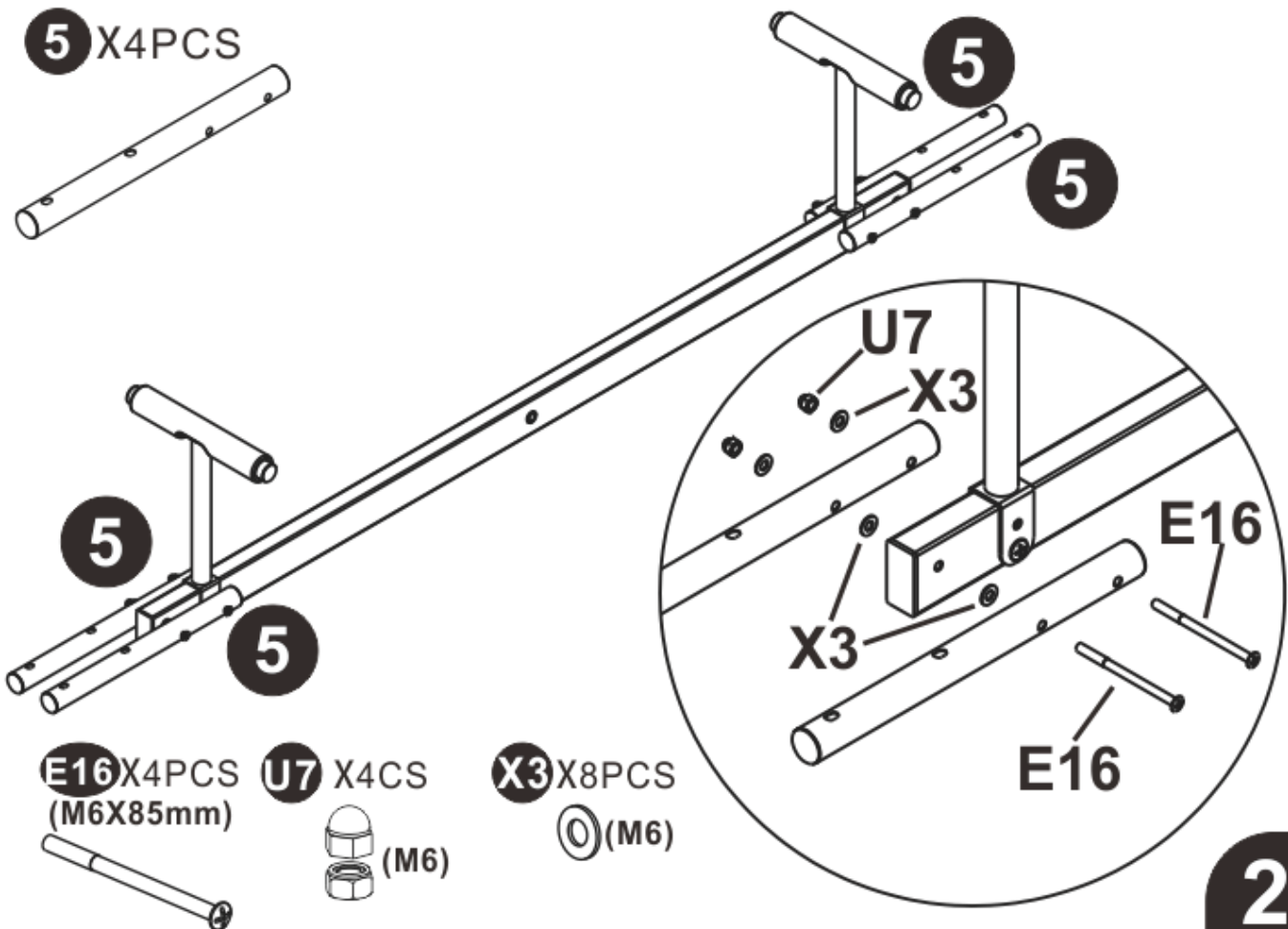
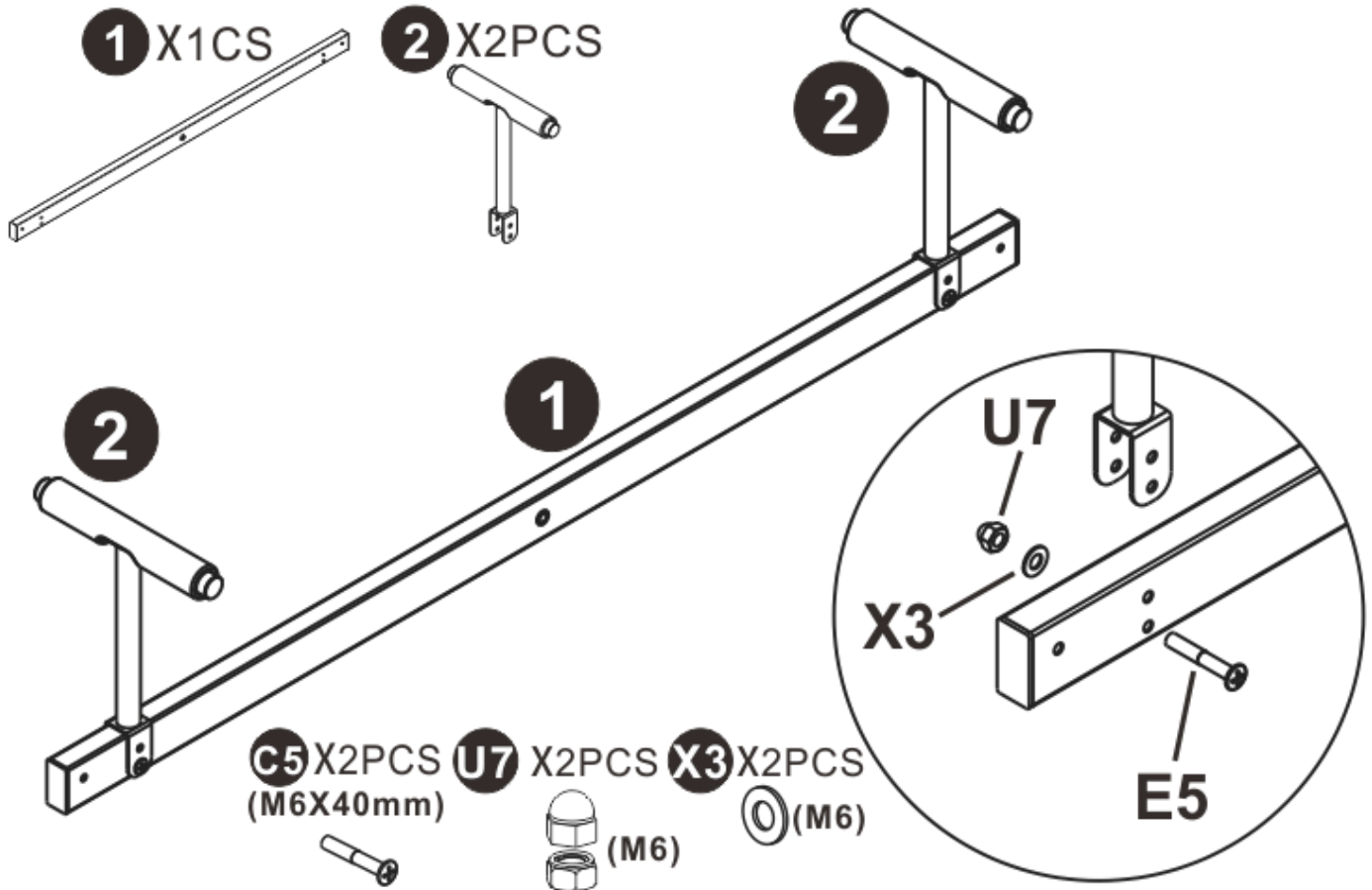
X4 X1CS (M8)



X3 X22PCS (M6)



Assembly Instruction



Assembly Instruction

6 X2PCS **7** X2PCS

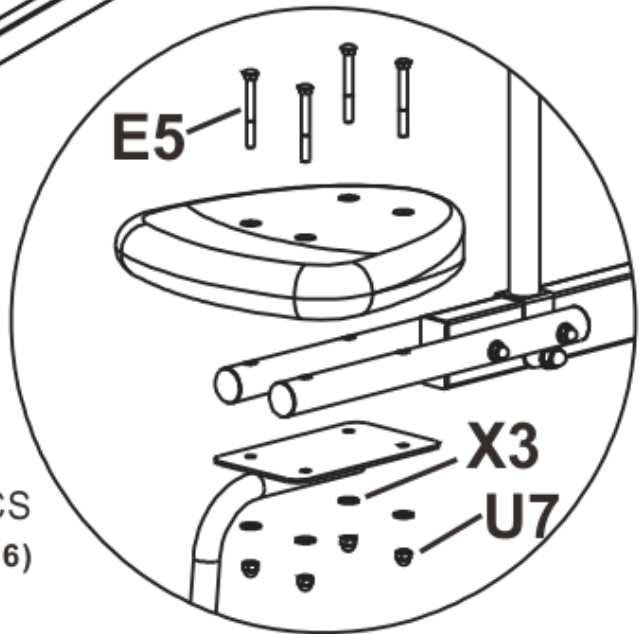


7

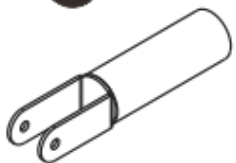
6

7

C8 X8PCS (M6X55mm) **U7** X8PCS (M6) **X3** X8PCS (M6)

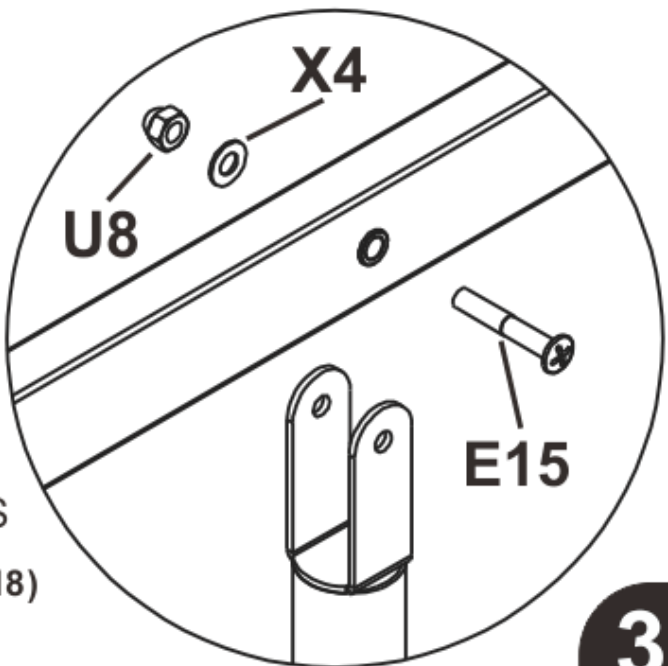


3 X1CS



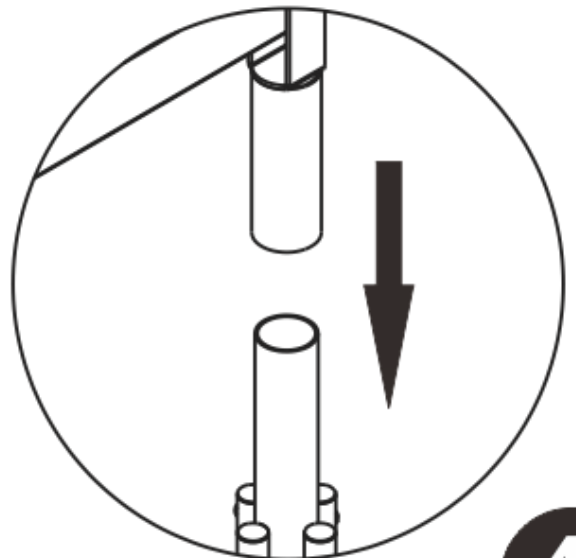
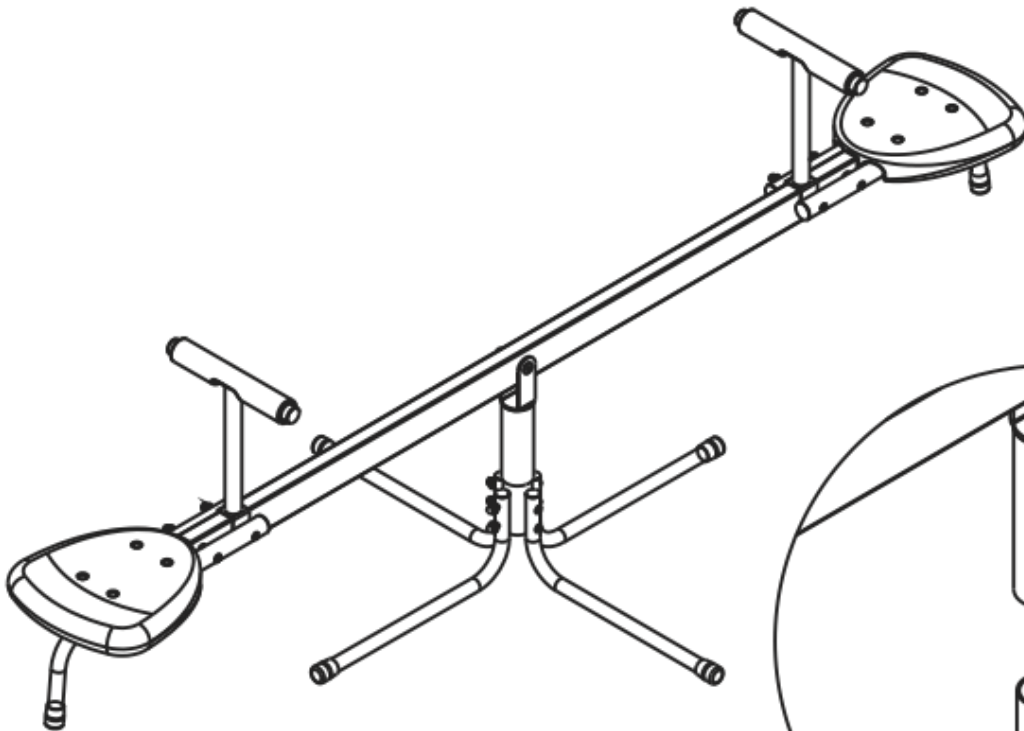
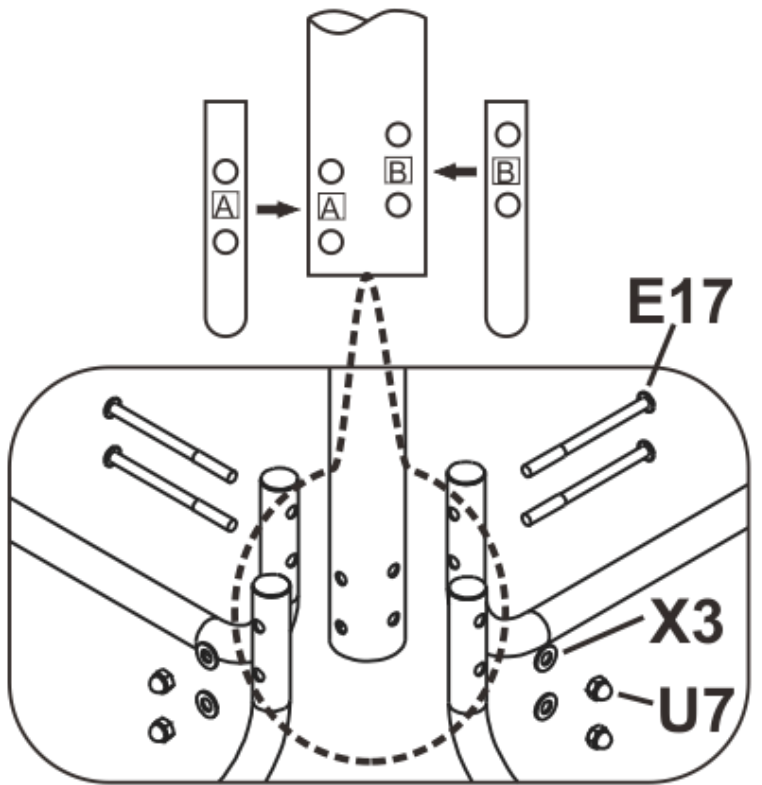
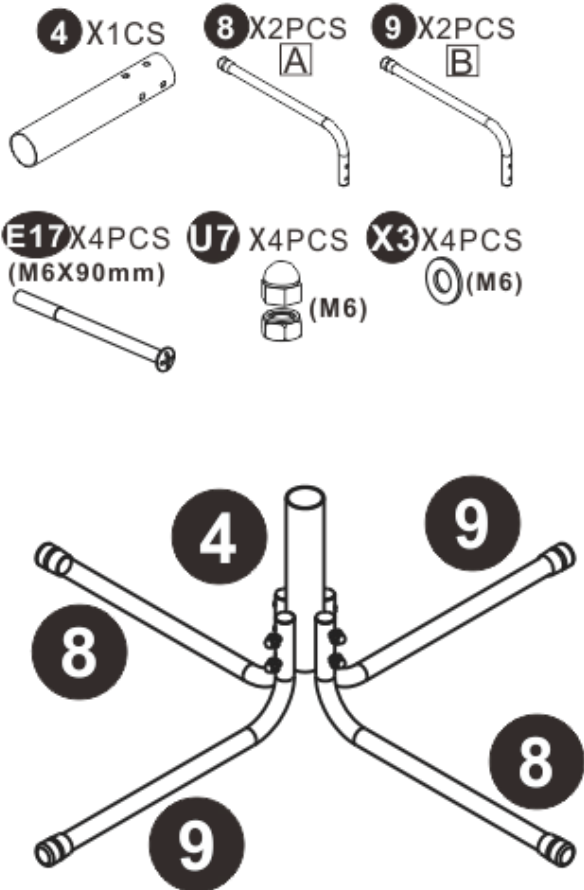
3

E15 X1CS (M8X50mm) **U8** X1CS (M8) **X4** X1CS (M8)



3

Assembly Instruction



ATTENTION AND CAUTION

WARNING:

1. THIS SEE-SAW MUST BE ASSEMBLED BY AN ADULT AND MAKE SURE ALL THE NUTS AND BOLTS ARE SCREWED TIGHTLY BEFORE USE.
2. THIS SEE-SAW CAN BE USED INDOOR OR OUTDOOR.
3. THIS SEE-SAW CAN BE USED ON SOFT GROUND.EG GRASS.
4. THIS UNIT MUST BE USED UNDER THE SUPERVISION OF ADULT.
5. AGE RECOMMENDATION: 3-8 YEARS. MAXIMUM WEIGHT FOR EACH SEAT – 25KG.
6. THIS SEE-SAW IS NOT SUITABLE FOR CHILDREN UNDER THE AGE OF 3 YEARS OLD DUE TO SMALL PART-CHOKING HAZARD.
7. FOR FAMILY DOMESTIC USE ONLY.
8. PLEASE KEEP THE ASSEMBLY INSTRUCTION AND ALL INFORMATION FOR FUTURE REFERENCE.

WARNING & RECOMMENDATIONS

- THIS PRODUCT MUST BE ASSEMBLED BY AN ADULT OR UNDER SUPERVISION OF AN ADULT.
- WE RECOMMEND THAT THE SEE-SAW IS USED ON SOFT GROUND, I.e. GRASS.
- DO NOT LEAVE YOUNG CHILDREN UNATTENDED WHILST PLAYING ON THIS SEE-SAW.
- PLEASE FASTEN THE BOLTS AND THE NUTS BEFORE TO USE THE SEE-SAW

MAINTENANCE

Warning: assemble according to the manufacturer” s instructions. Check regularly for wear and tear. Ensure fixings and anchorage is secure at all times. Check metal sections or components for signs of corrosion. Discontinue use if weakening or breakage is found. Failure to comply with these precautions may result in injury.

