

SWING FRAME MASTER[®] A2

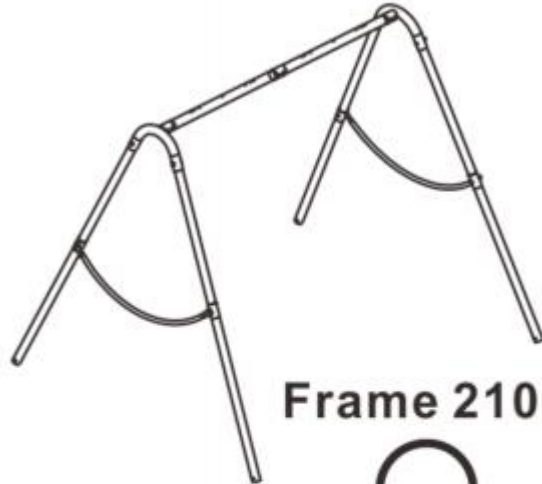
MAS-B035

Swing 1575/2100/2400 -3 Series

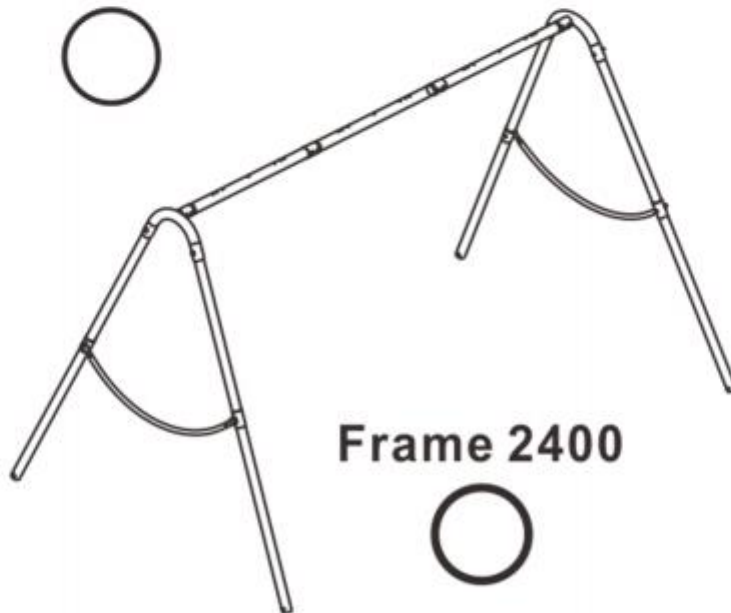
01/20



Frame 1575



Frame 2100



Frame 2400



**IN CASE OF MISSING OR BROKEN PARTS,
PLEASE CONTACT PLACE OF PURCHASE FOR ASSISTANCE.**

Manual depicts typical installation
your model may differ from illustrations

Caution:

This unit is designed for a maximum of 3 children between the age of 3 to 10 years old on the motion rides. Maximum weight for each seat -110lb.

Warning!

Please read this instruction manual before you start with the assembly or use this swing set. You must follow all safety instructions while using this equipment; be absolutely sure that the surface on which this swing set is set up on, is properly surfaced with fine sand, and wood chips. Do not use this swing set on hard pack soil, concrete or any kind of hard surface. Read all cautionary statement before using this equipment.

ATTENTION AND CAUTION

- 1.This play GYM must be assembled by an adult and make sure all the nuts and bolts were screwed tightly.**
- 2.This play GYM can be used indoor or outdoor, but if used indoor please make sure there is sufficient space for it (3M from each leg).**
- 3.This play GYM can be used on general ground, lawn or concrete floor, our recommendation is lawn. (Pay attention to the method of fixing it on different surface).**
- 4.This unit must be used under the supervision of adult.**
- 5. Not suitable for children under 3 years due to small parts.**

SAFETY INSTRUCTIONS

Please follow these instructions carefully and keep them for future reference.

- 1) The equipment must be assembled by an adult.
- 2) Adult supervision is required at all times when using this product.
- 3) Age recommendation: 3 To 10 years of age.
- 4) Maximum weight for each seat is 110lb.
- 5) Recheck screws and nuts if properly tighten.
- 6) Make sure the bolts are protected by rubber caps.
- 7) Use the equipment only in an open area, Free from obstructions that could harm a child.
- 8) Use the equipment on a flat grassy surface. Patios, concrete or other hard surfaces must be avoided.
- 9) Children must be shown how to use this product safely. Do not let children climb all over the equipment or do roll over on the end frame. This practice can cause serious injury.
- 10) The seat surface of the swing shall not be higher than 600mm from the ground. The swing is use for sitting only and not for standing.
- 11) Suspension systems, Anchor points and fixings must be checked regularly for wear and tear and replaced where necessary.
- 12) Ropes must be replaced every 12 months if necessary.
- 13) Paintwork should be checked regularly and if necessary can be touched up using a non-toxic enamel or "CAR" type paint.
- 14) It is indispensable that the legs are concreted into the ground. If this is not possible, then the ground anchor provided must be used instead.
- 15) Do not leave young children unattended while playing on the equipment.

CARE AND MAINTENANCE

This swing set was designed and manufactured with quality materials and craftsmanship. With proper care and maintenance, it will provide all players with years of exercise, fun, and enjoyment. Please follow the guidelines below:

This swing set is designed to withstand a specific weight and usage. Child over 110pounds (50kgs) should not use the swing set. Players should remove all sharp objects from their person prior to using the swing set. All sharp or pointed objects should be kept off the playground at all times.

Always inspect the swing set before each use for worn, damaged or missing parts. Please be aware of:

- Loosed or missing bolt
- Sagging support top bar
- Bent or broken frame parts, such as the support leg
- Broken, missing, or damaged seats
- Damaged, missing, or insecurely attached rope
- Protrusions of any types (especially sharp types) on the frame or any other places

IF YOU FIND ANY OF THE PREVIOUS CONDITIONS, OR ANYTHING ELSE THAT YOU FEEL COULD CAUSE HARM TO ANY USER, THE SWING SET SHOULD BE DISASSEMBLED OR SECURED FROM USE UNTIL THE CONDITION(S) HAS BEEN RECTIFIED.



SPSE-1575/2100/2400-3 Series

PACKAGE CONTENTS / DIAGRAMS FOR PARTS:

Frame 2400					
PART NO	NAME	Q'TY	PART NO	NAME	Q'TY
1	Top Support Bar A	2	F16	M8X65mm Hex Bolt	8
2	Top Support Bar B	1	F6	M8X60mm Hex Bolt	8
5	Fixed joint	2	U2	M8 Safety Nut	16
6	GYM Set Leg (upper)	4	X4	M8 Iron Washer	16
7	GYM Set Leg (lower)	4	Z1	Spanner	1
8	Side Girt (With Safety Cap)	2	Y1	M6 Hex Wrench	1
9	Ground Anchor	4	Y2	M8 Hex Wrench	1

Frame 2100					
PART NO	NAME	Q'TY	PART NO	NAME	Q'TY
1	Top Support Bar A	1	F16	M8X65mm Hex Bolt	6
2	Top Support Bar B	1	F6	M8X60mm Hex Bolt	8
5	Fixed joint	2	U2	M8 Safety Nut	14
6	GYM Set Leg (upper)	4	X4	M8 Iron Washer	14
7	GYM Set Leg (lower)	4	Z1	Spanner	1
8	Side Girt (With Safety Cap)	2	Y1	M6 Hex Wrench	1
9	Ground Anchor	4	Y2	M8 Hex Wrench	1

Frame 1575					
PART NO	NAME	Q'TY	PART NO	NAME	Q'TY
2	Top Support Bar B	1	F16	M8X65mm Hex Bolt	4
5	Fixed joint	2	F6	M8X60mm Hex Bolt	8
6	GYM Set Leg (upper)	4	U2	M8 Safety Nut	12
7	GYM Set Leg (lower)	4	X4	M8 Iron Washer	12
8	Side Girt (With Safety Cap)	2	Z1	Spanner	1
9	Ground Anchor	4	Y1	M6 Hex Wrench	1
			Y2	M8 Hex Wrench	1

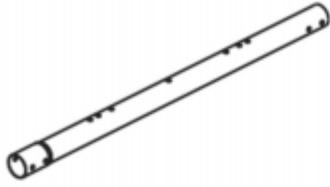
**Construction
Personnel**



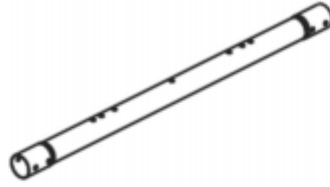
X2

Accessories

1.



2.



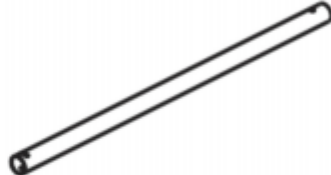
5.



6.



7.



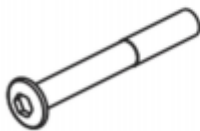
8.



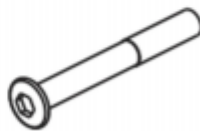
9.



F16



F6



U2



X4



Z1



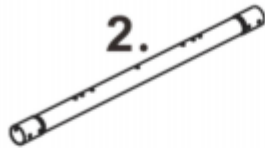
Y1



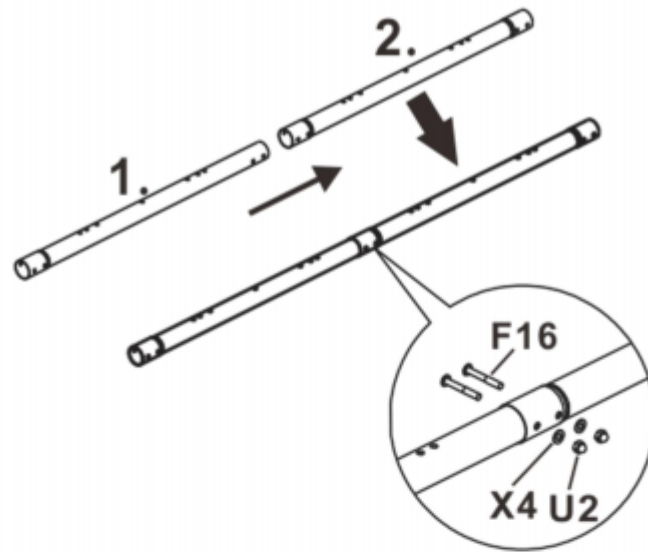
Y2



Crossbeam Assembly Instruction

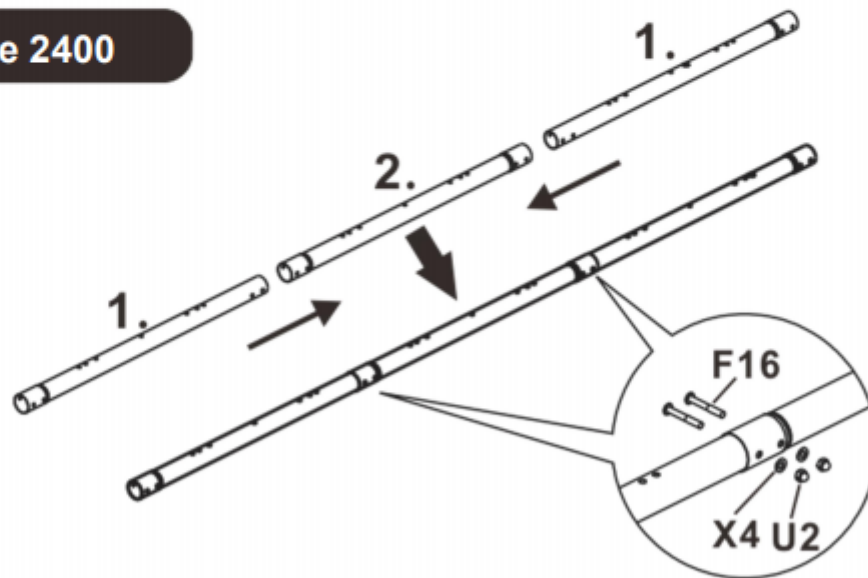


Frame 1575



Frame 2100

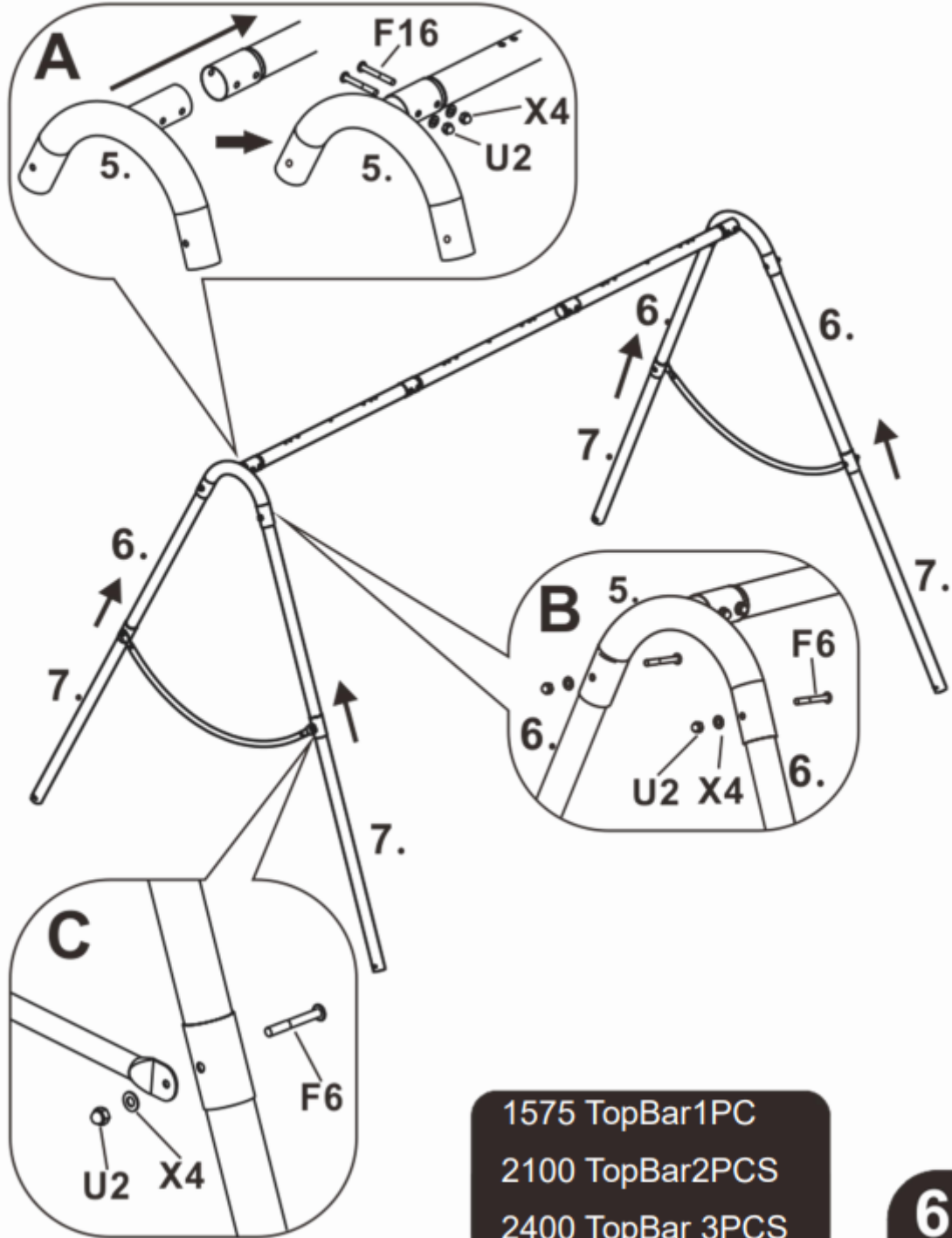
Frame 2400



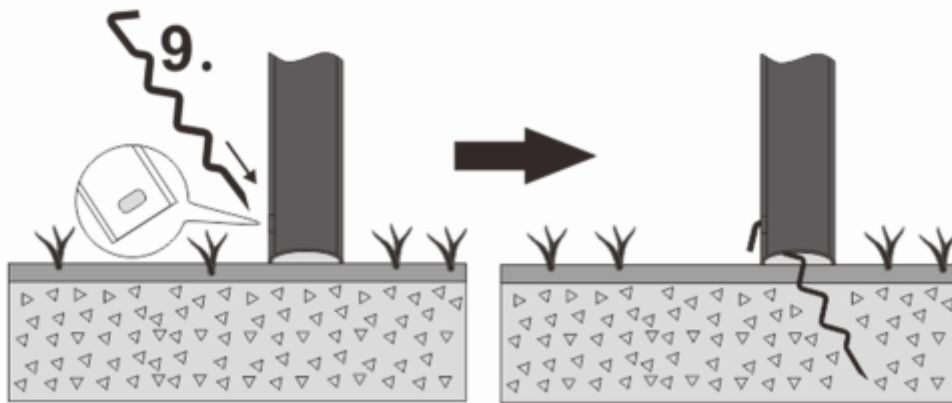
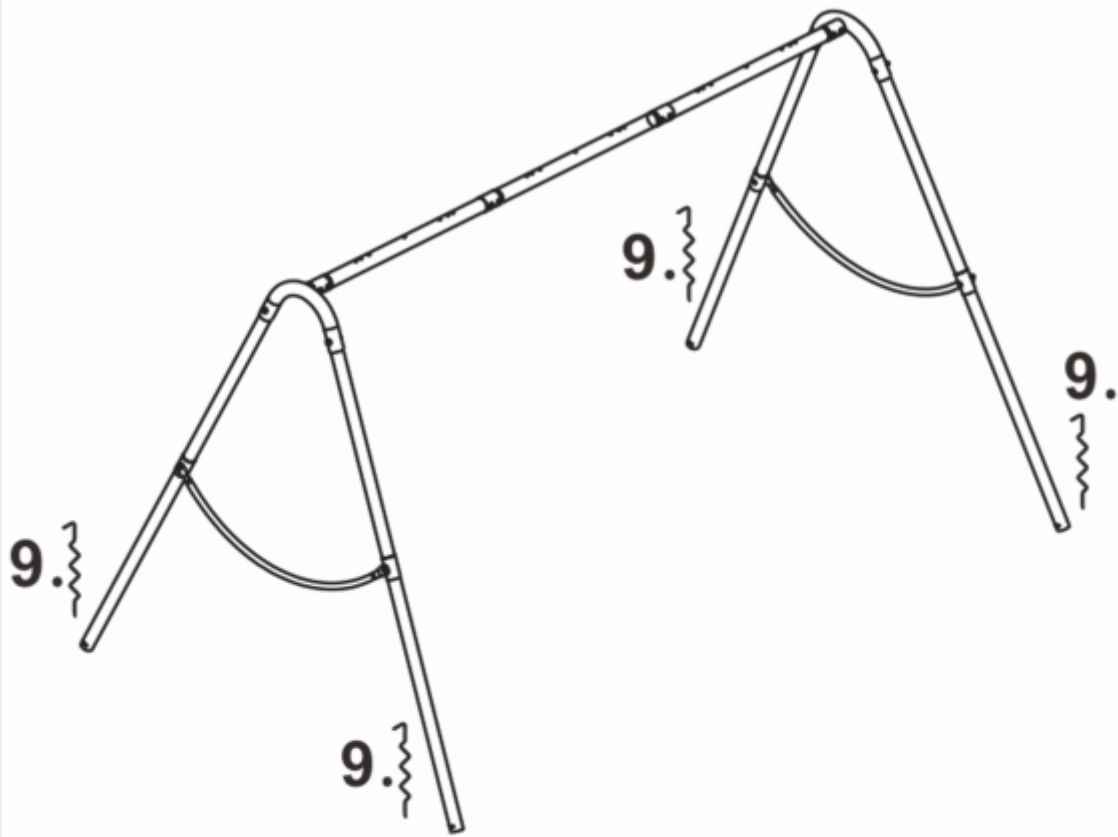
If you have purchased the combination swing with game group (SPSA-A / SPSA-B), please read the instruction manual of purchasing game group before installing the 1575 / 2100 / 2400 crossbeam, because the fixed clip accessories of game group (SPSA-WT41) should be installed on the crossbeam in advance.

Assembly Instruction

Installation steps: A B C

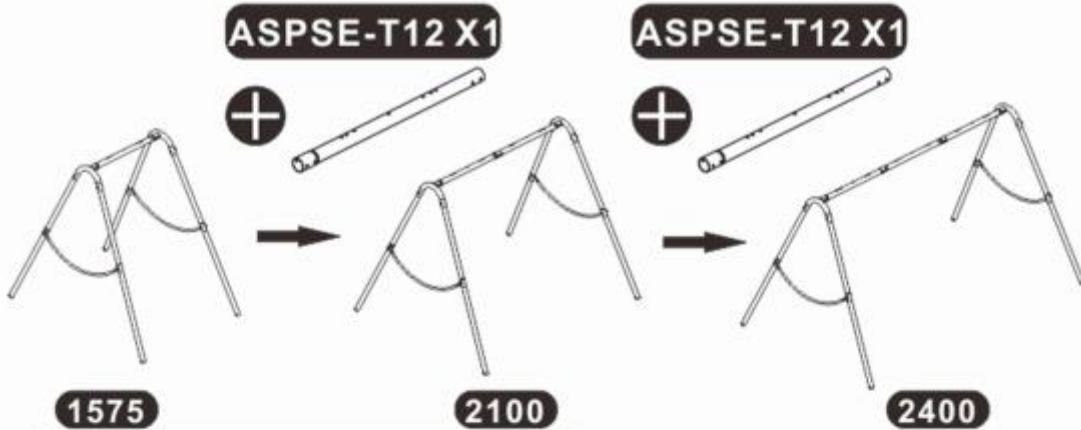


Assembly Instruction



1575 TopBar1PC
2100 TopBar2PCS
2400 TopBar 3PCS

Combination Description



The New Swing Design in 2020.

The most advantage is on the top bar of the swing; they are divided into sections, not only can save the packing size but can be installed with different swing accessories, such as SPSA-A/B/C/D. You can choose the swing accessories to match the top tube according to your needs, and then combine into a personalized swing.

